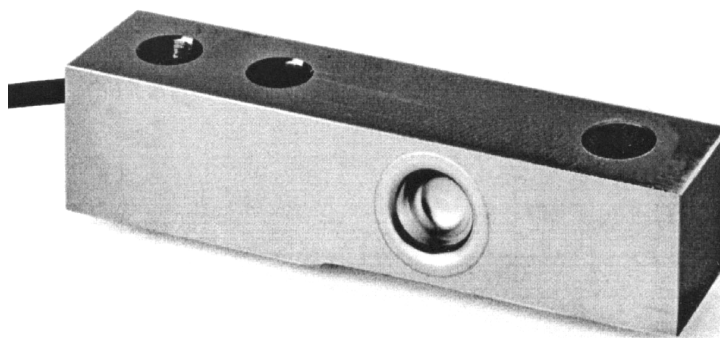


HBM

H35

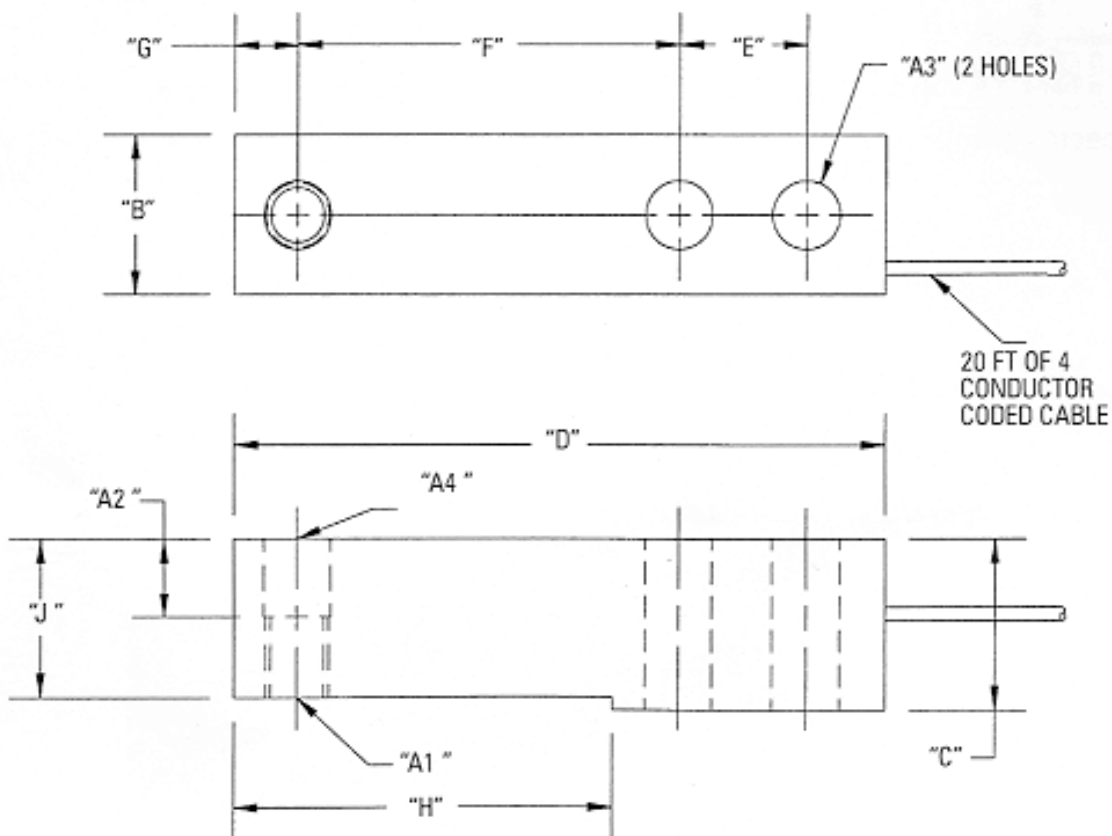


HERMETICALLY SEALED BEAM LOAD CELL

- 3 MV/V OUTPUT
- STAINLESS STEEL

Capacities Available:
1k, 2.5k, 4k, 5k lbs

The H35 is the latest introduction to the popular beam line. The H35 offers all stainless steel construction and integral mounting foot as well as dimensional and electrical interchangeability with several load cell manufacturers.



Dimensions (inches)

CAPACITY	A1	A2	A3	A4	B	C	D	E	F	G	H	J
1K-5K Lbs	½-20 UNF-2B	.62	.53	.53	1.21	1.19	5.12	1.00	3.00	.50	2.85	1.12

Technical Data

Rated capacities	Lbs	1K, 2.5K, 4K
Rated output	mV/V	3.0 +/- 0.010
Combined error	%	0.03
Nonrepeatability	%	0.01
Creep in 20 min.	%	0.03
Zero balance	%	2.0
Compensated temp. range	°F/°C	+14°...+104° / -10°...+40°
Temperature effects on rated output	% of load / 100°F	0.15
Temperature effects on zero balance	% / 100°F	0.25
Terminal resistance -- input	min. ohms	350
Terminal resistance -- output	nom. ohms	350 +/- 3
Excitation voltage	Max vdc / Vac rms	10 / 15
Insulation resistance	min. Mohms	5,000
Max. safe load	%	100
Ultimate load, ultimate	%	300
Max. side load	%	150
Deflection at rated load	Inches	0.01
Weight	Lbs	2.5 lbs;

Percentages relative to rated output, except as noted.

Cable color code

RED	-SIG
BLACK	-EXC
GREEN	+EXC
WHITE	+SIG
SHIELD	SHIELD

More technical information available upon request of data sheet. REQUEST CERTIFIED DRAWINGS BEFORE DESIGNING; MOUNTINGS OR FIXTURES. DIMENSIONS AND SPECIFICATIONS ARE SUBJECT TO CHANGE WITHOUT NOTICE.