

Condensed Power for Mobile Applications



Permanent Magnet DC-Motor

Disc-Motors with patented rotor technology and high efficiency

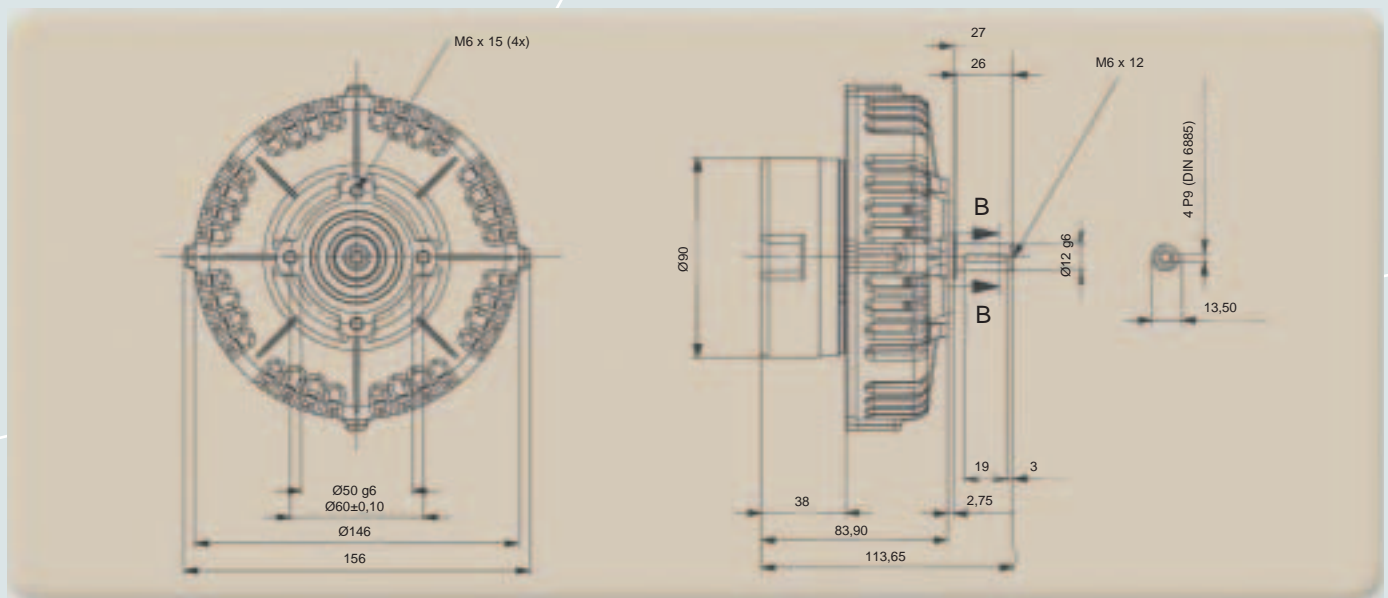
From 12 Volt to 24 Volt DC,
for all battery-powered applications

Advantages:

- low weight
- high efficiency
- high torque
- simplified control
- energy recuperation
in generator mode



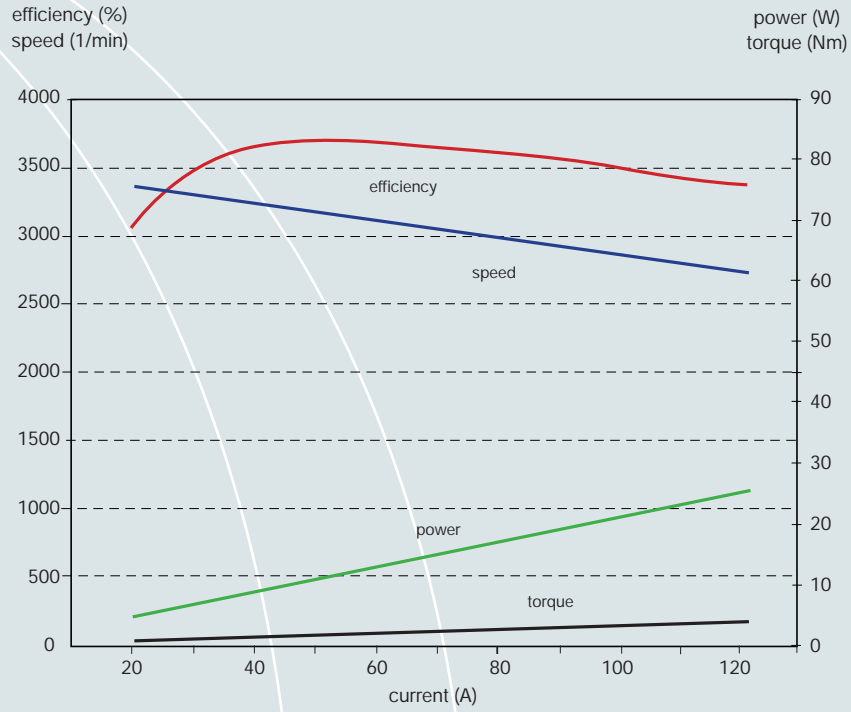
PMG 080



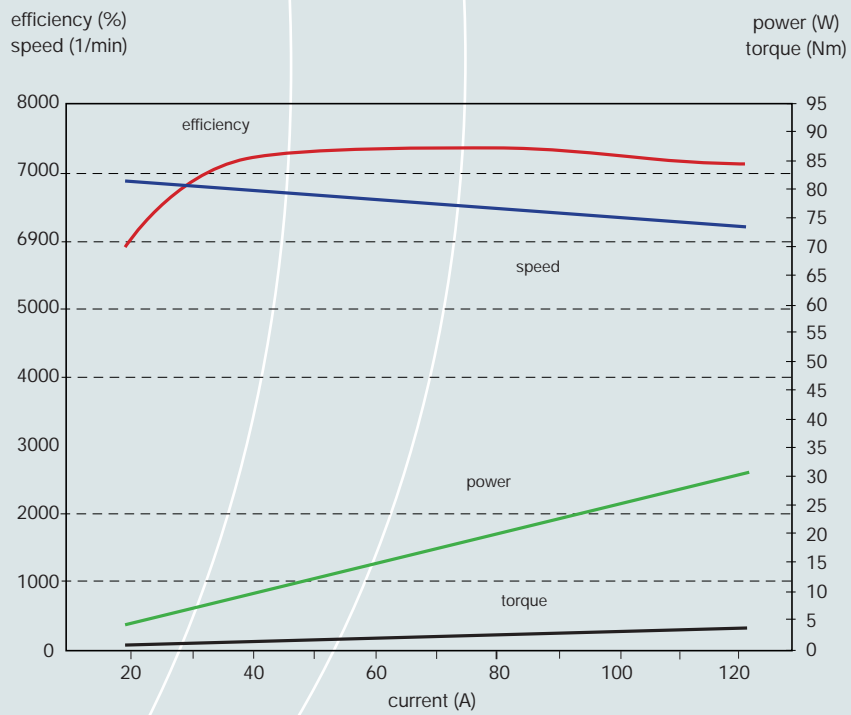
Operation mode	S1	S1	inertia	0,0021 kgm ²
Voltage	12V	24V	inductance	0,0026 mH
Current	78A	78A	resistance	9,0 mOhm
Speed	3000 min ⁻¹	6500 min ⁻¹	system of protection	IP 20
Torque	2,4Nm	2,4 Nm	weight	3,4 kg
Power	0,75 kW	1,6 kW		
Short time operation	115A	S2-10 min	3,5 Nm	



PMG 080 - 12V



PMG 080 - 24V



Control Plus Australia

Unit 4, 41 Green Street
Banksmeadow NSW 2019
Tel: +61 2 9666 9722
Fax: +61 2 9666 9493
controlplus@bigpond.com
www.controlplus.com